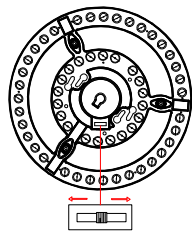


ITEM NO:T7134CU-BK

ASSEMBLY INSTRUCTIONS

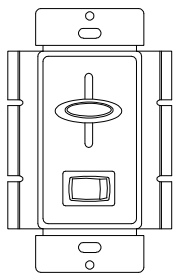
1. Attach the wavy arms (A) to the canopy (B) using the nuts (C) to secure. (Note: please adjust the spacing of three wavy arms to create a three-pronged pattern before securing the nuts.)
2. Screw one side of the connecting rod (D) into the joint connector nut on the LED plate (E) and screw the other side of the connecting rod into the joint connector nut on the canopy (B).
3. Align the screw holes on the lampshade (F) with those on the wavy arms (A) and secure the lampshade with the screws (G).
4. Screw the threaded tube (H) into the joint connector nut on the LED plate (E) and secure the tube with a nut. (Note: the part of threaded tube that is screwed into the connector nut can't be too long otherwise it will press against the wires.)
5. Adjust the positioning nut (J) to the bottom of the lampshade and put the iron washer and silicon washer around the threaded tube one by one.
6. Put the diffuser (K) into the lampshade at an angle of 15 to 20 degrees, put the silicon washer around the threaded tube, and secure the diffuser with the nut (L).
7. Install the mounting plate (M) on the outlet box with the screws (N).
8. Connect the fixture wire to the circuit wire by wire nuts (O), black wire with live wire, white wire with neutral wire, ground wire with ground wire.
9. Fix the lamp body (B) to the mounting plate (M) and secure the lamp body with the nuts (P).

Please consult a qualified Electrician if you are not familiar with electrical wiring.



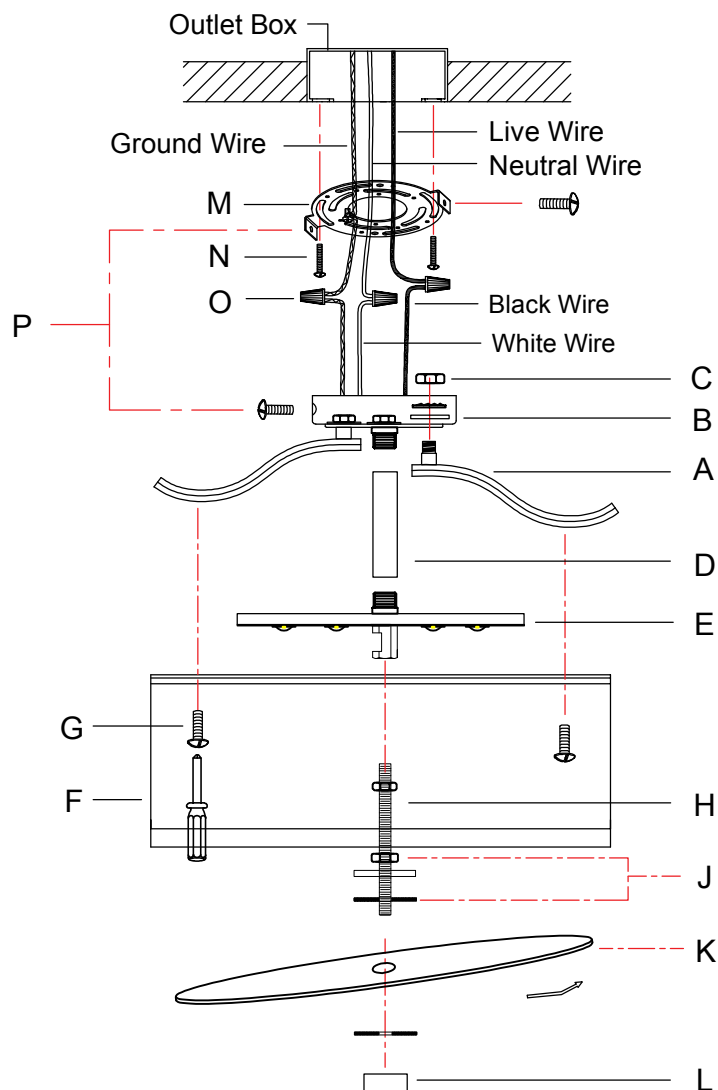
3000K 4500K 5500K

The LED color temperature can be adjusted before installing the lamp.



Dimmer
(NOT included in the package)

100% 60% 10%



1. The ceiling light is fully dimmable with a compatible dimmer and its dimming range is from 100% down to 10%.

2. The dimming effect varies with the brands of dimmers and the recommended brand is Lutron.