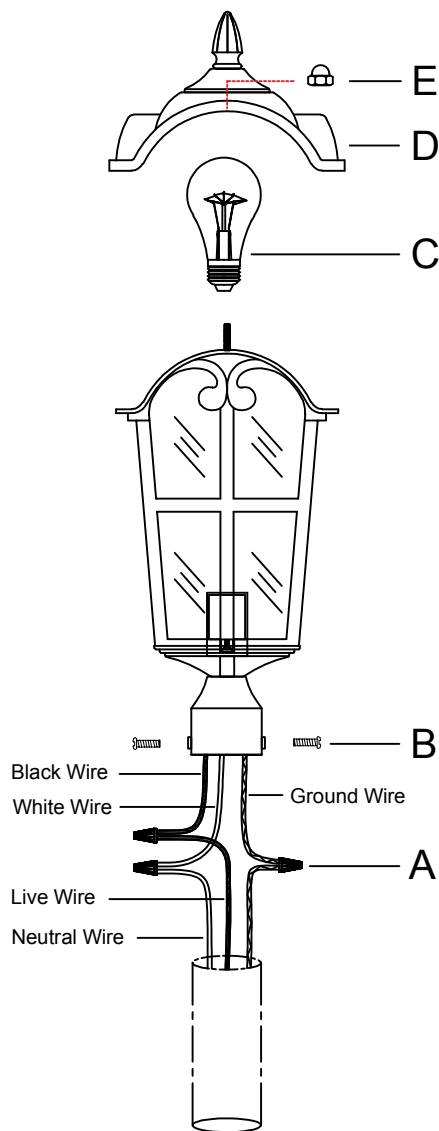


ITEM NO. :T1003ZU

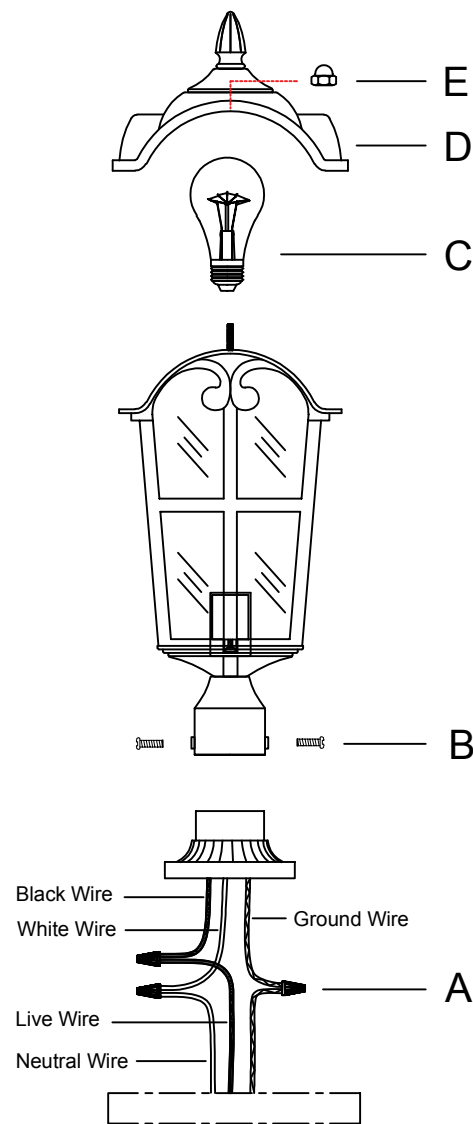
ASSEMBLY INSTRUCTIONS

- 1.The post light can be installed either on the post or on the base.
- 2.Connect the fixture wire to the circuit wire by wire nuts (A), black wire with live wire, white wire with neutral wire, ground wire with ground wire.
- 3.Attach the lamp body to the post or base using the screws (B) to secure.
- 4.Screw the bulb (C) into the lamp holder.
- 5.Attach the top cover (D) to the lampshade using the nut (E) to secure.

Please consult a qualified Electrician if you are not familiar with electrical wiring.



Installation on the Post
(Post Not Included)



Installation on the Base

