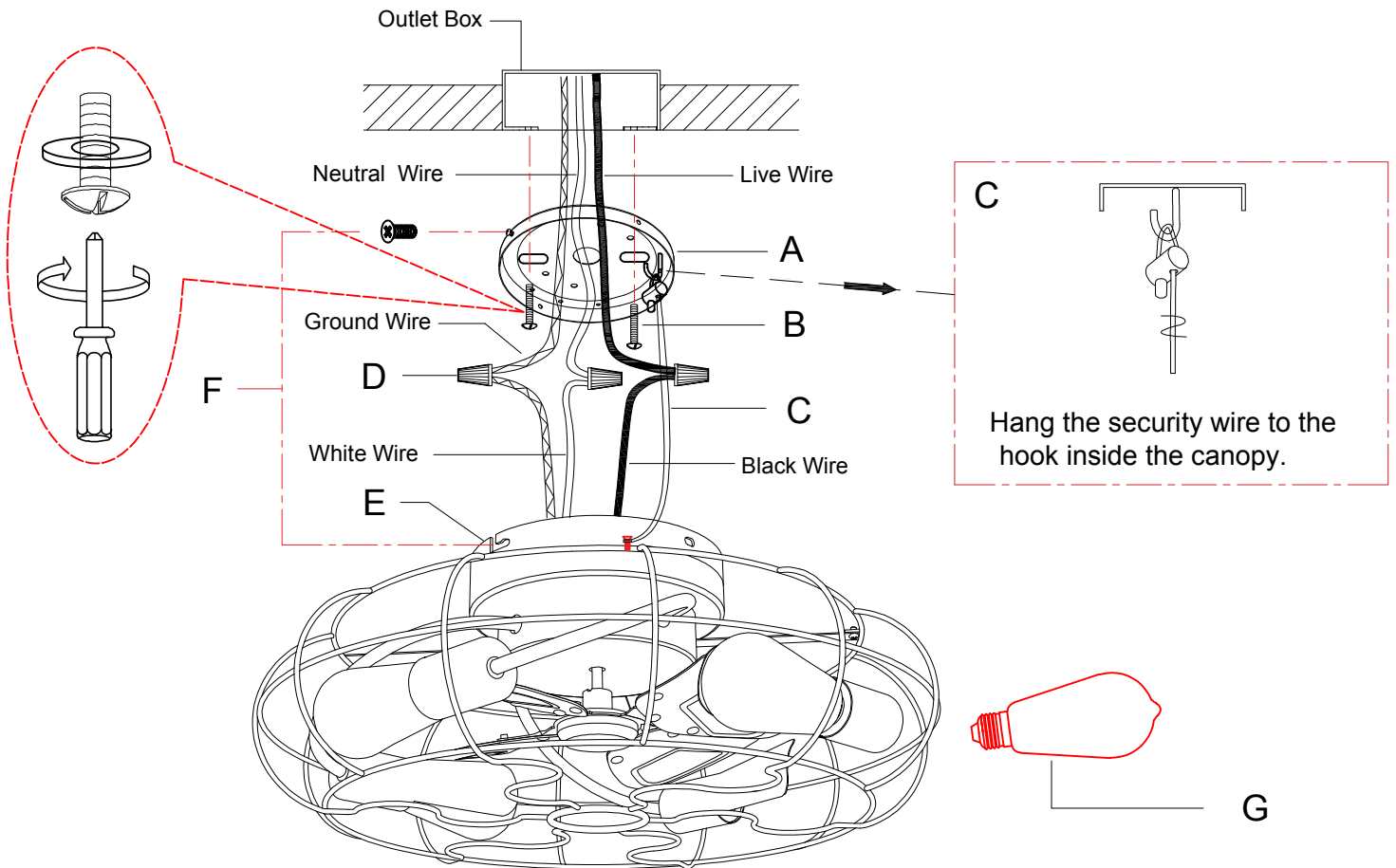


# ITEM NO. :T7245-4CU

## ASSEMBLY INSTRUCTIONS

- 1.Install the mounting plate (A) on the outlet box with the screws (B).
- 2.Hang the security wire (C) to the hook inside the canopy.
- 3.Connect the fixture wire to the circuit wire by wire nuts (D), black wire with live wire,white wire with neutral wire, ground wire with ground wire.
- 4.Fix the lamp body (E) to the mounting plate (A) with the ball nuts (F).
- 5.Screw the bulb (G) into the lamp holder.

***Please consult a qualified Electrician if you are not familiar with electrical wiring.***



## Installation Guide (With Existing Junction Box)

