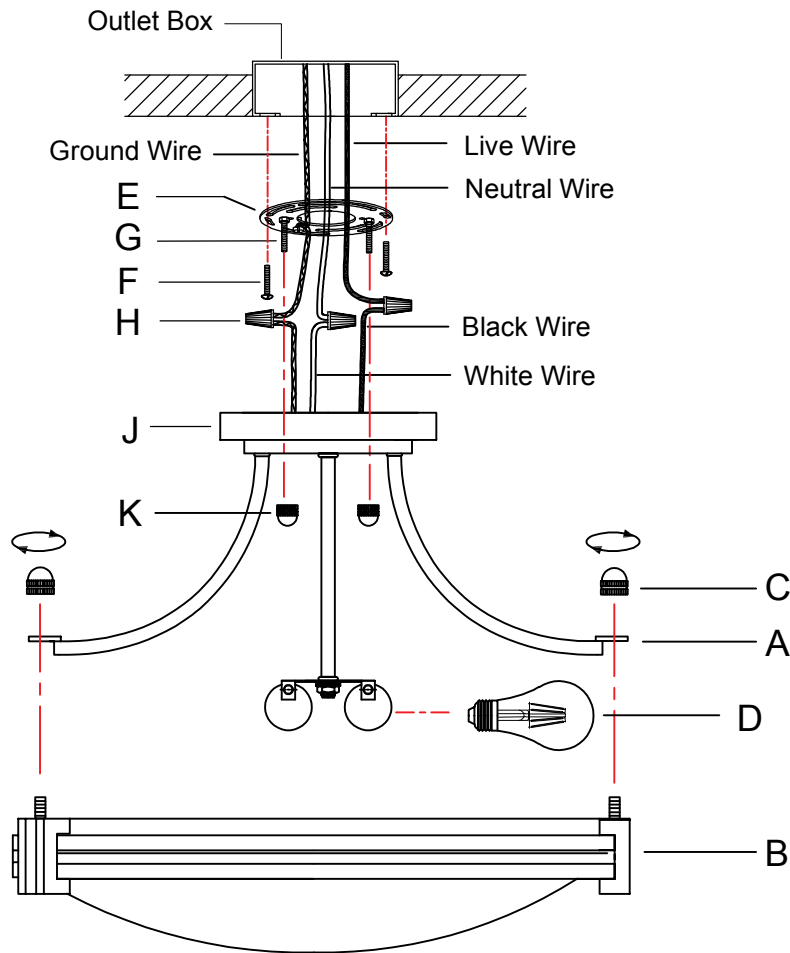


ITEM NO:B7147-3CU

ASSEMBLY INSTRUCTIONS

- 1.Adjust the distance among three arms of lamp frame (A) to create a three-pronged frame. Attach the lampshade (B) to the three-pronged frame (A) using the nuts (C) to secure.
- 2.Screw the bulb(s) (D) into the lamp holder(s).
- 3.Install the mounting plate (E) on the outlet box with the screws (F).
- 4.Loosen the hex nuts around the bolts (G) and screw in or unscrew the bolts from the junction box to get the right length for installation.
- 5.Connect the fixture wire to the circuit wire by wire nuts (H), black wire with live wire, white wire with neutral wire, ground wire with ground wire.
- 6.Fix the lamp body (J) to the mounting plate (E) by the ball nuts (K).

Please consult a qualified Electrician if you are not familiar with electrical wiring.



Recommended bulb shape

