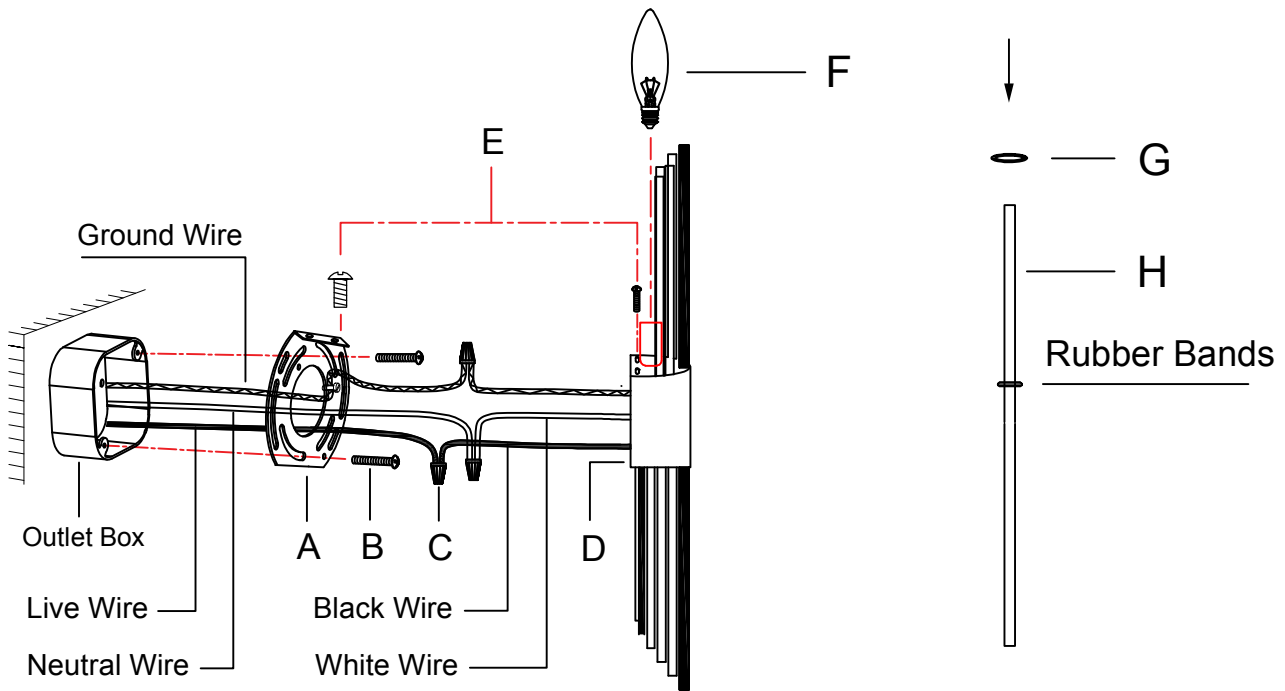


ITEM NO. :B3187-2BU

ASSEMBLY INSTRUCTIONS

1. Install the mounting plate (A) on the outlet box with the screws (B).
2. Connect the fixture wire to the circuit wire with the wire nuts (C): black wire with live wire, white wire with neutral wire, ground wire with ground wire. Turn the wire nuts to twist the wires together. Wrap the wire nuts with insulated rubber tape.
3. Fix the canopy (D) to the mounting plate (A) with the screws (E).
4. Screw the bulb (F) into the lamp holder.
5. Put the rubber band (G) around the glass rods or the iron rods (H). (Please refer to the diagram on the bottom right corner for the right position to put a rubber band around each rod.)
6. Insert the glass rods and the iron rods (H) into the holes on the lamp body (D) according to the rods' corresponding letters as shown in the diagram on the bottom left corner.

Please consult a qualified Electrician if you are not familiar with electrical wiring.



A	1pcs (Iron)
B	2pcs (Glass)
C	2pcs (Glass)
D	2pcs (Glass)
E	2pcs (Iron)
F	2pcs (Glass)

