

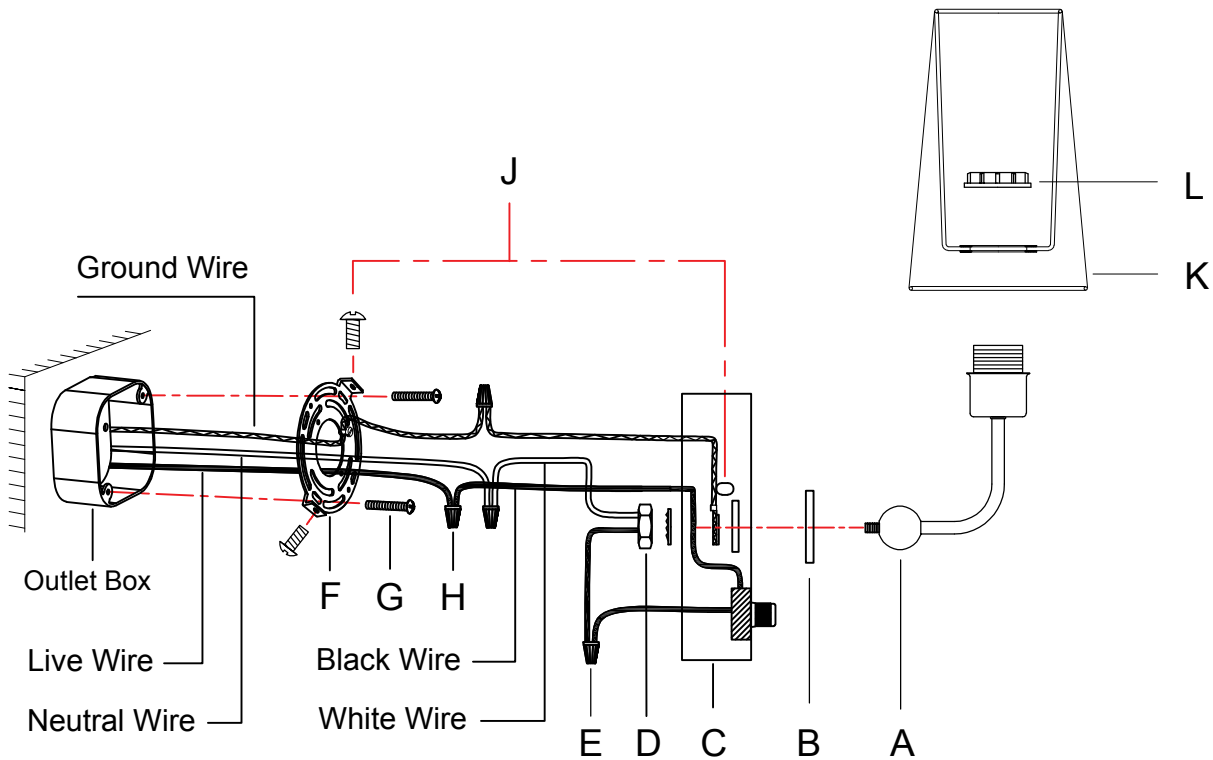
ITEM NO. :T3246-2BU-C

Installation Process With a Junction Box

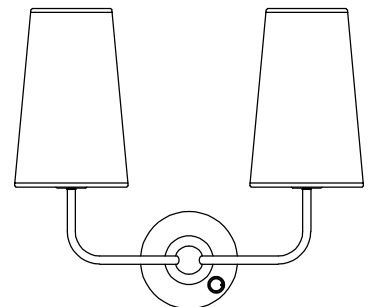
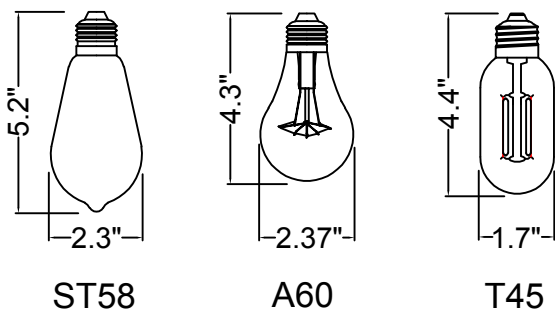
ASSEMBLY INSTRUCTIONS

1. Attach the lamp body (A) and the decorative metal slat (B) to the canopy (C) using the nut (D) to secure.
2. Connect the power cords (E) of the dimmer: connect the dimmer's short wire to the black fixture wire.
3. Install the mounting plate (F) on the outlet box with the screws (G).
4. Connect the fixture wire to the circuit wire with the wire nuts (H): black wire with live wire, white wire with neutral wire, ground wire with ground wire. Turn the wire nuts to twist the wires together. Wrap the wire nuts with insulated rubber tape.
5. Fix the canopy (C) to the mounting plate (F) with the screws (J).
6. Put the lampshade (K) around the lamp holder and secure the shade with the socket ring (L).

*Please consult a qualified Electrician if you are not familiar with electrical wiring.*



Recommended bulb shape



The dimmer is applicable for incandescent bulbs and halogen bulbs.