

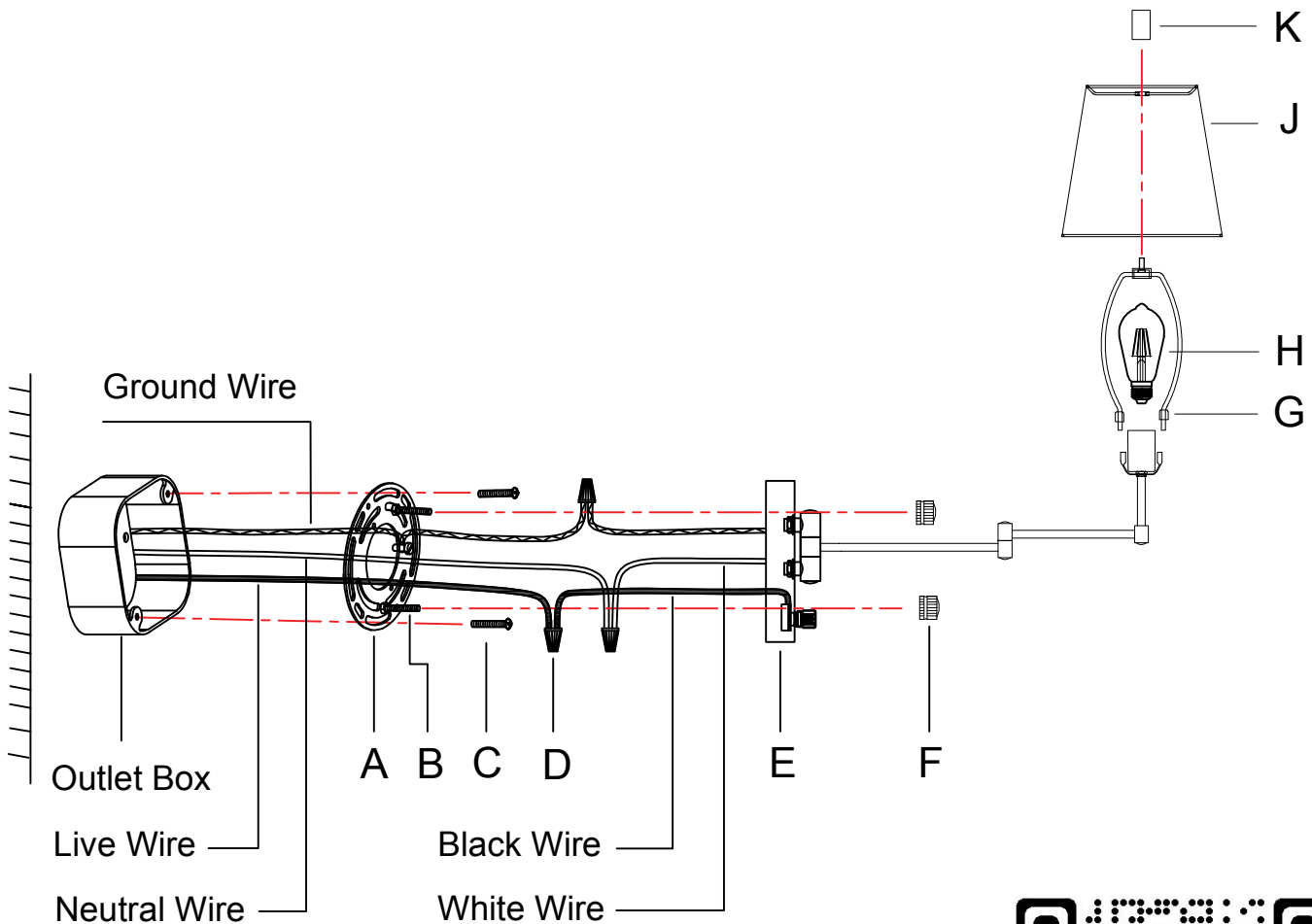
ITEM NO. :T3072BU-BK-C

Installation Process With a Junction Box

ASSEMBLY INSTRUCTIONS

1. Attach the mounting plate (A) to the outlet box using the screws (B) to secure.
2. Loosen the hex nuts around the bolts (C) and screw in or unscrew the bolts from the junction box to get the right length for installation.
3. Connect the fixture wire to the circuit wire with the wire nuts (D): black wire with live wire, white wire with neutral wire, ground wire with ground wire. Turn the wire nuts to twist the wires together. Wrap the wire nuts with insulated rubber tape.
4. Attach the lamp body (E) to the mounting plate (A) using the ball nuts (F) to secure.
5. Attach the metal frame to the harp (G).
6. Screw the bulb (H) into the lamp holder.
7. Attach the fabric shade (J) to the harp (G) and secure the shade with a nut (K).

Please consult a qualified Electrician if you are not familiar with electrical wiring.



QR Code for Installation Guide