

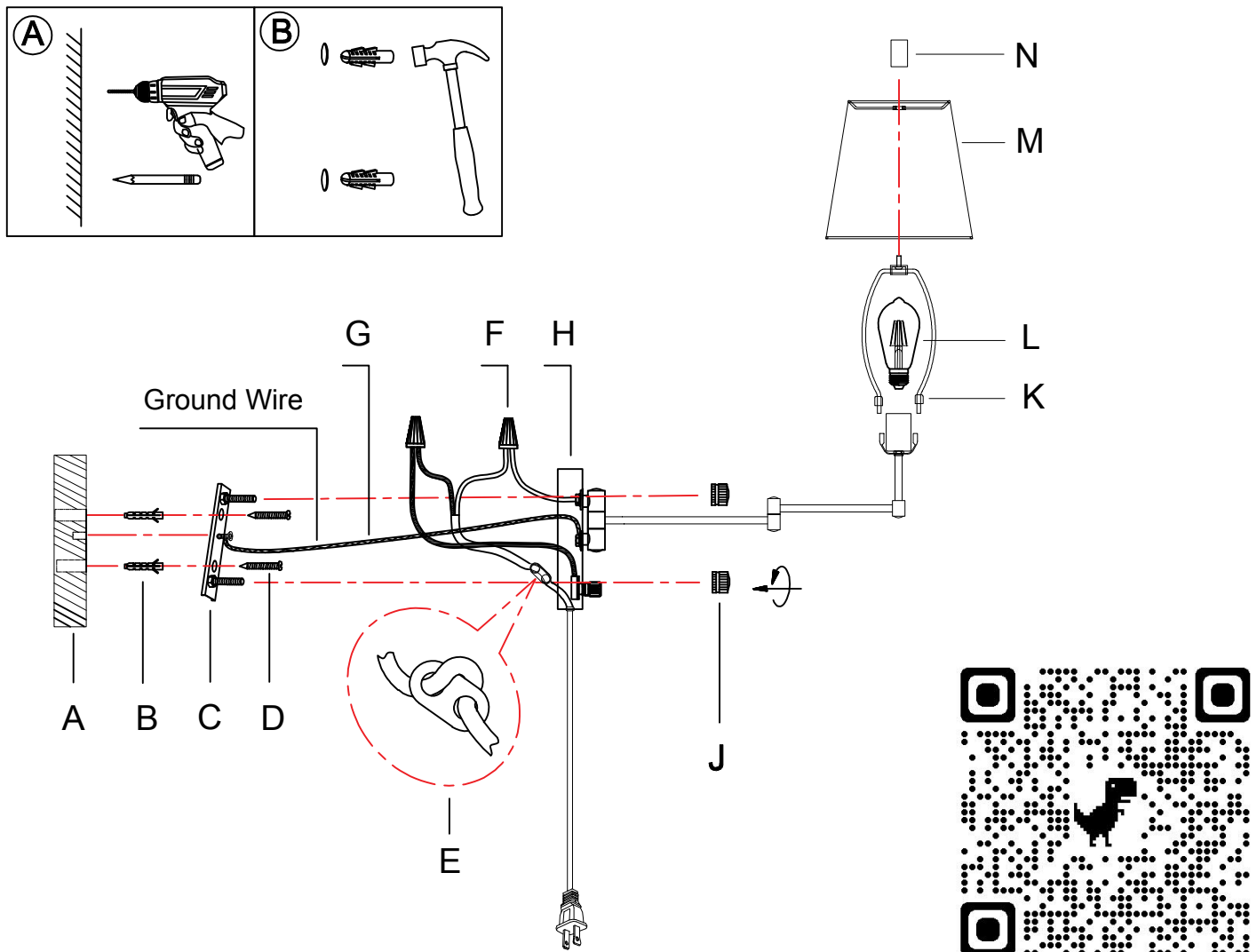
ITEM NO. :T3072BU-BK-C

Installation Process Without a Junction Box

ASSEMBLY INSTRUCTIONS

1. Mark the mounting holes on the wall according to the hole spacing of a mounting plate and drill holes on the wall (A).
2. Gently tap the plastic drywall anchors (B) into the hole with a hammer.
3. Attach the the mounting plate (C) to the wall and secure it with self-tapping screws (D).
4. Pass the power cords (E) through the hole on the canopy, adjust the length of cords, and fasten the cords with an 8-shaped fastener.
5. Connecting the power cords (F): connect the black wire with black wire and white wire with white wire with the wire nuts. Turn the wire nuts to twist the wires together. Wrap the wire nuts with insulated rubber tape.
6. Wrap a few loops of the ground wire (G) around the green screw on the mounting plate (C) and then tighten the green screw.
7. Attach the lamp body (H) to the mounting plate (C) using the ball nuts (J) to secure.
8. Attach the metal frame to the harp (K).
9. Screw the bulb (L) into the lamp holder.
10. Attach the fabric shade (M) to the harp (K) and secure the shade with a nut (N).

Please consult a qualified Electrician if you are not familiar with electrical wiring.



QR Code for Installation Guide