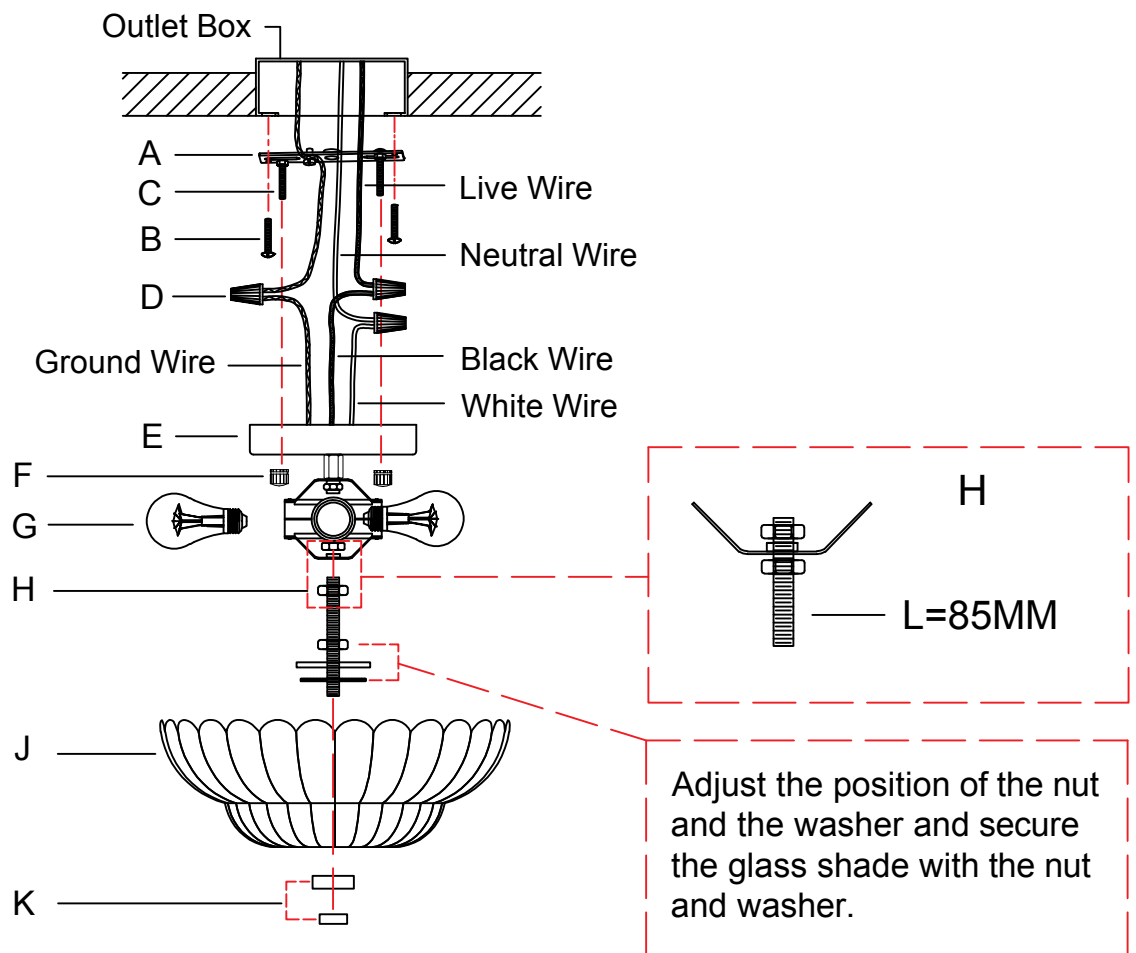


# ITEM NO. :B7257-3CU

## ASSEMBLY INSTRUCTIONS

1. Install the mounting plate (A) on the outlet box by using the screws (B).
2. Loosen the hex nuts around the bolts (C) and screw in or unscrew the bolts from the junction box to get the right length for installation.
3. Connect the fixture wire to the circuit wire by wire nuts (D), black wire with live wire, white wire with neutral wire, ground wire with ground wire.
4. Fix the lamp body (E) to the mounting plate (A) by the ball nuts (F).
5. Screw the bulb(s) (G) into the lamp holder(s).
6. Attach the threaded tube (H) to the lamp holder using the nuts (one from inside and one from outside ) to secure.
7. Put the lampshade (J) around the threaded tube (H) using the nut (K) to secure.

*Please consult a qualified Electrician if you are not familiar with electrical wiring.*



### Recommended bulb shape

