

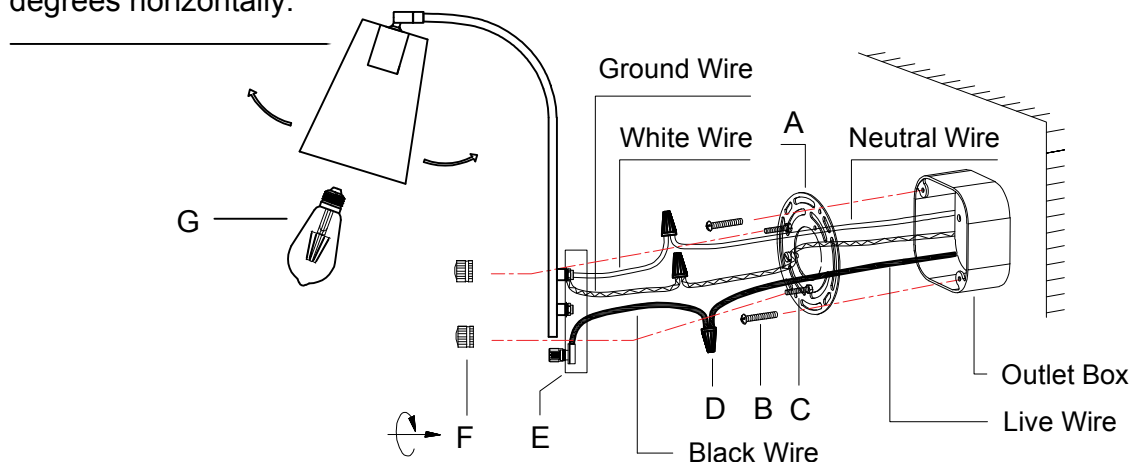
ITEM NO. :T3054BU-BK-C

ASSEMBLY INSTRUCTIONS

1. Install the mounting plate (A) on the outlet box by using the screws (B).
2. Loosen the hex nuts around the bolts (C) and screw in or unscrew the bolts from the junction box to get the right length for installation.
3. Connect the fixture wire to the circuit wire by wire nuts (D), black wire with live wire, white wire with neutral wire, ground wire with ground wire.
4. Fix the lamp body (E) to the mounting plate (A) by the ball nuts (F).
5. Screw the bulb (G) into the lamp holder.

Please consult a qualified Electrician if you are not familiar with electrical wiring.

The arm swivels 350+90 degrees horizontally.



Installation Process With a Junction Box

Installation Process Without a Junction Box

1. Drill holes on the wall according to size of drywall anchors and gently tap the plastic drywall anchors (A) into the hole with a hammer.
2. Align the holes on the mounting plate with those on the wall. Drill a deep hole for the green screw securing the ground wire (E).
3. Attach the the mounting plate (B) to the wall and secure it with self-tapping screws (C).
4. Wrap a few loops of the ground wire (E) around the green screw tightly.
5. Pass the power cord (D) through the hole on the canopy and fasten the cord with an 8-shaped fastener. Connect the fixture wire to the circuit wire with wire nuts, black wire with black wire and white wire with white wire.

The arm swivels 350+90 degrees horizontally.

