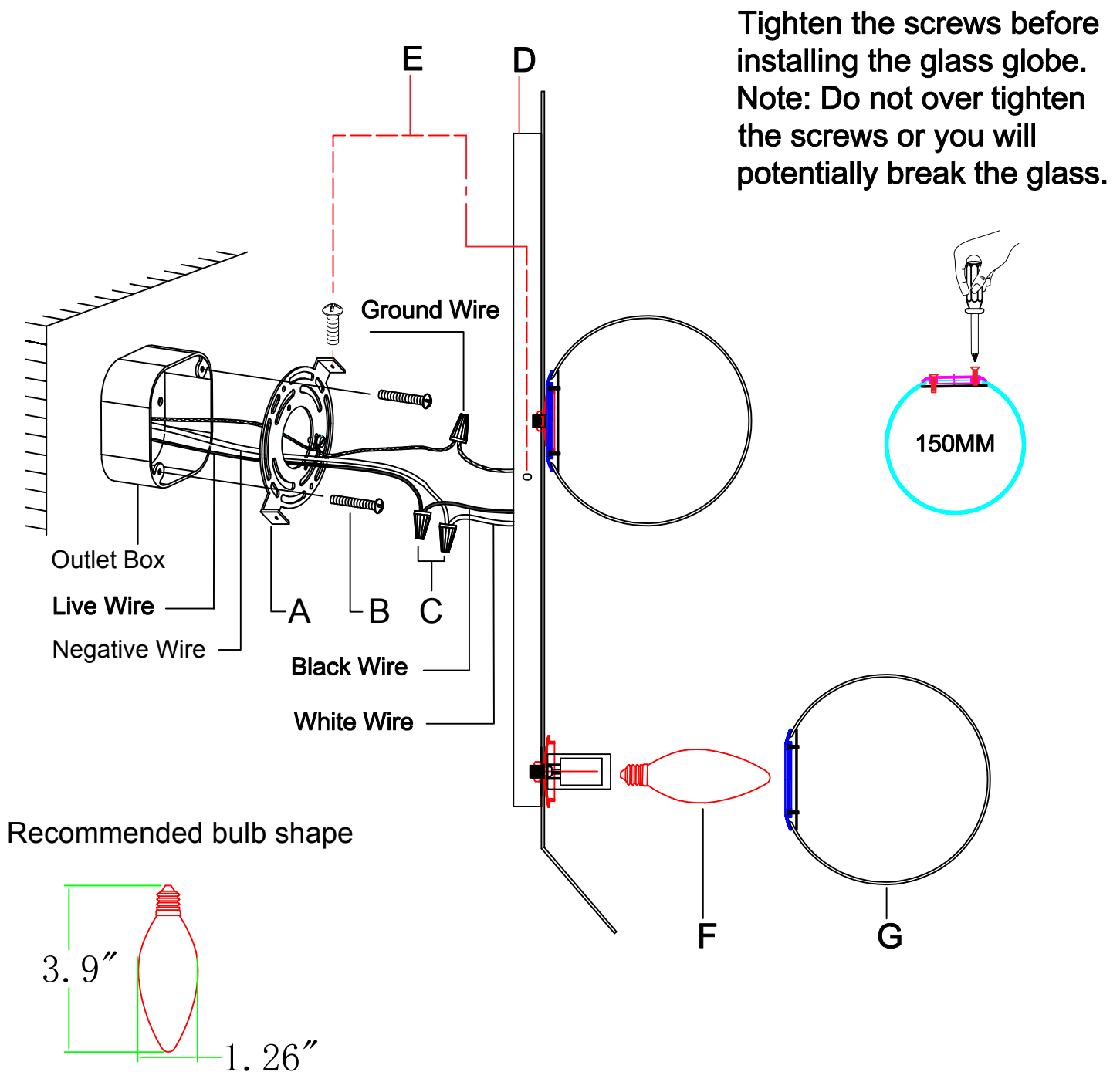


ITEM NO. :B3242-2BU-J

ASSEMBLY INSTRUCTIONS

1. Install the mounting plate (A) on the outlet box with the screws (B) .
2. Connect the fixture wire to the mains wire with the wire nuts (C), black wire with live wire, white wire with negative wire, ground wire with ground wire.
3. Fix the lamp body (D) to the mounting plate (A) with the ball nuts (E).
4. Screw the bulb (F) into the lamp holder.
5. Screw the lampshade (G) into the bobèche gently.

Please consult a qualified Electrician if you are not familiar with electrical wiring.



Max. Size of Bulb: 1.26 Inches Wide * 3.9 Inches High