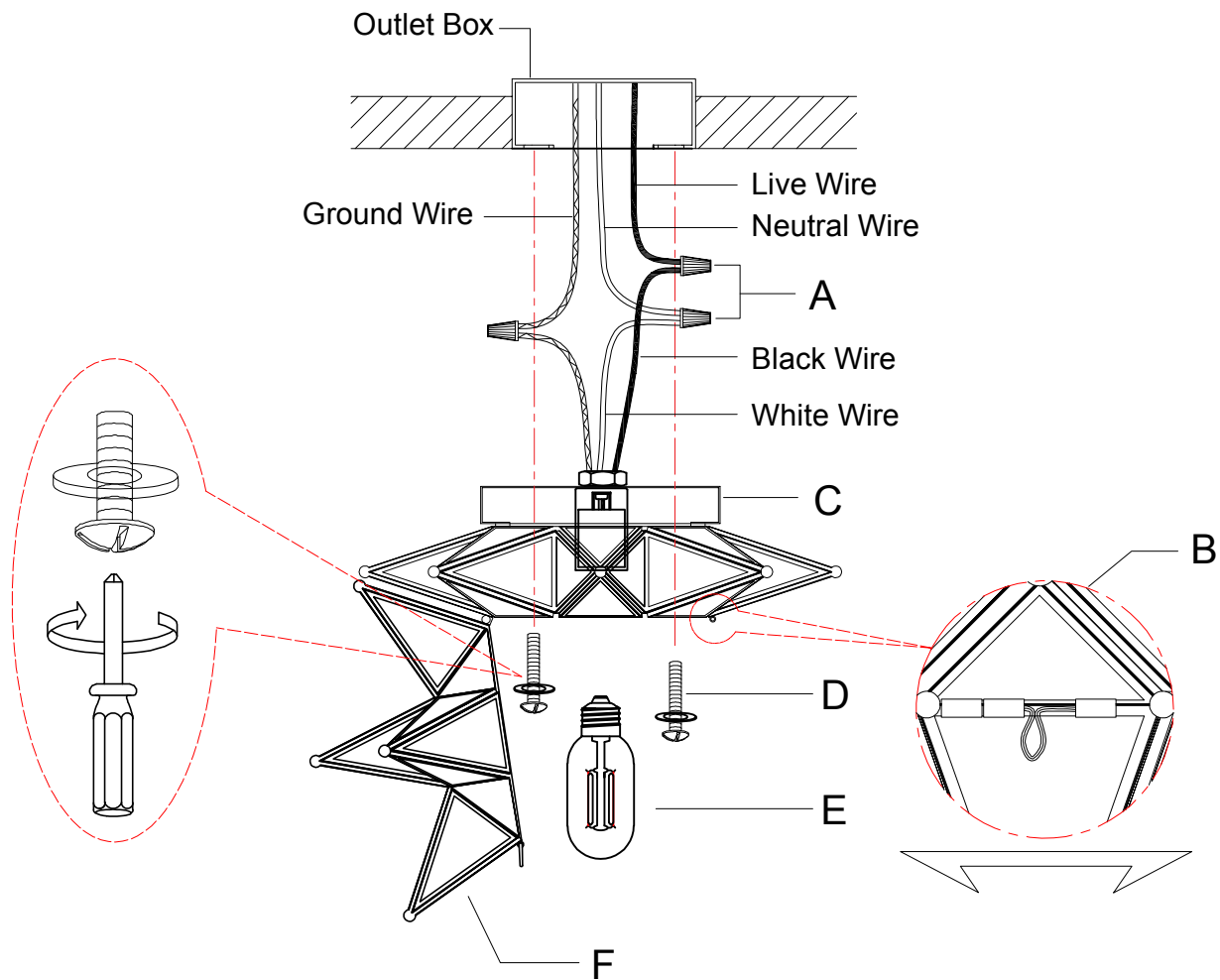


ITEM NO. :TB7060CU-13 Inches

ASSEMBLY INSTRUCTIONS

1. Connect the fixture wire to the circuit wire by wire nuts (A), black wire with live wire, white wire with neutral wire, ground wire with ground wire.
2. Slide the latch bolt (B) to the other side and open the hinged access door (F) on the lampshade to complete the rest of the installation.
3. Attach the canopy (C) to the junction box using the screws (D) to secure. (Note: don't forget to add a washer between the screws and the canopy.)
4. Screw the bulb (E) into the lamp holder.
5. Slide the latch bolt (B) back to lock the hinged access door (F) after the installation is finished.

Please consult a qualified Electrician if you are not familiar with electrical wiring.



Recommended bulb shape

