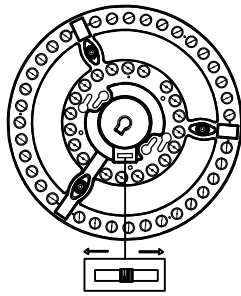


ITEM NO:T7235CU

ASSEMBLY INSTRUCTIONS

- 1.Install the mounting plate (H) on the outlet box with the screws (J).
- 2.Connect the fixture wire to the circuit wire with the wire nuts (K): black wire with live wire, white wire with neutral wire, ground wire with ground wire. Turn the wire nuts to twist the wires together. Wrap the wire nuts with insulated rubber tape.
- 3.Fix the lamp body (L) to the mounting plate (H) with the ball nuts (M).

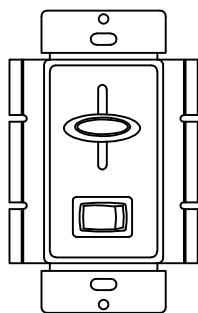
Please consult a qualified Electrician if you are not familiar with electrical wiring.



3000K 4500K 5500K

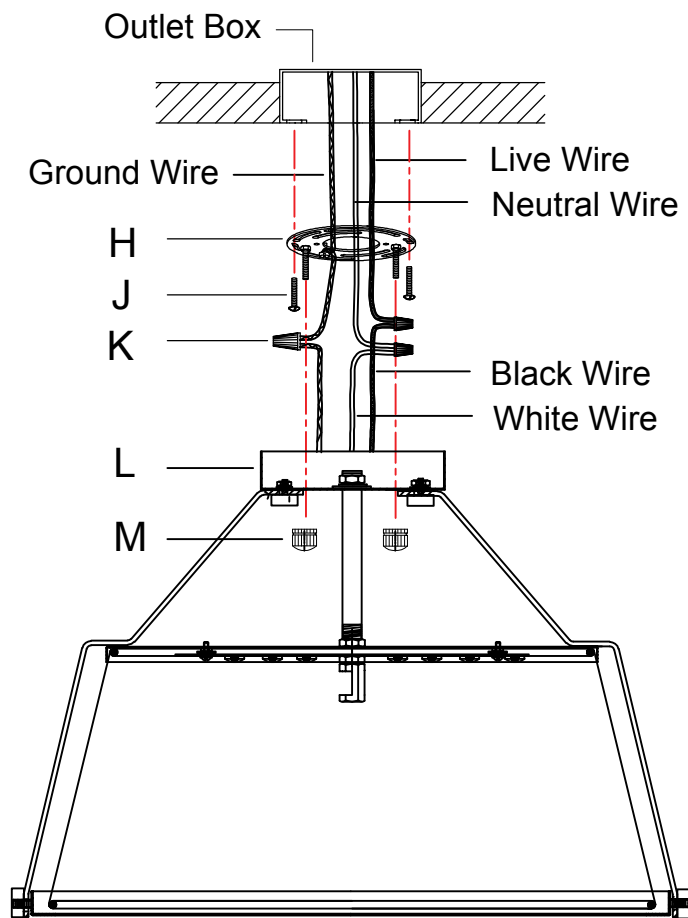
The LED color temperature can be adjusted before installing the lamp.

100% 60% 10%



Dimmer

(NOT included in the package)



1.The ceiling light is fully dimmable with a compatible dimmer and its dimming range is from 100% down to 10%.

2.The dimming effect varies with the brands of dimmers and the recommended brand is Lutron.