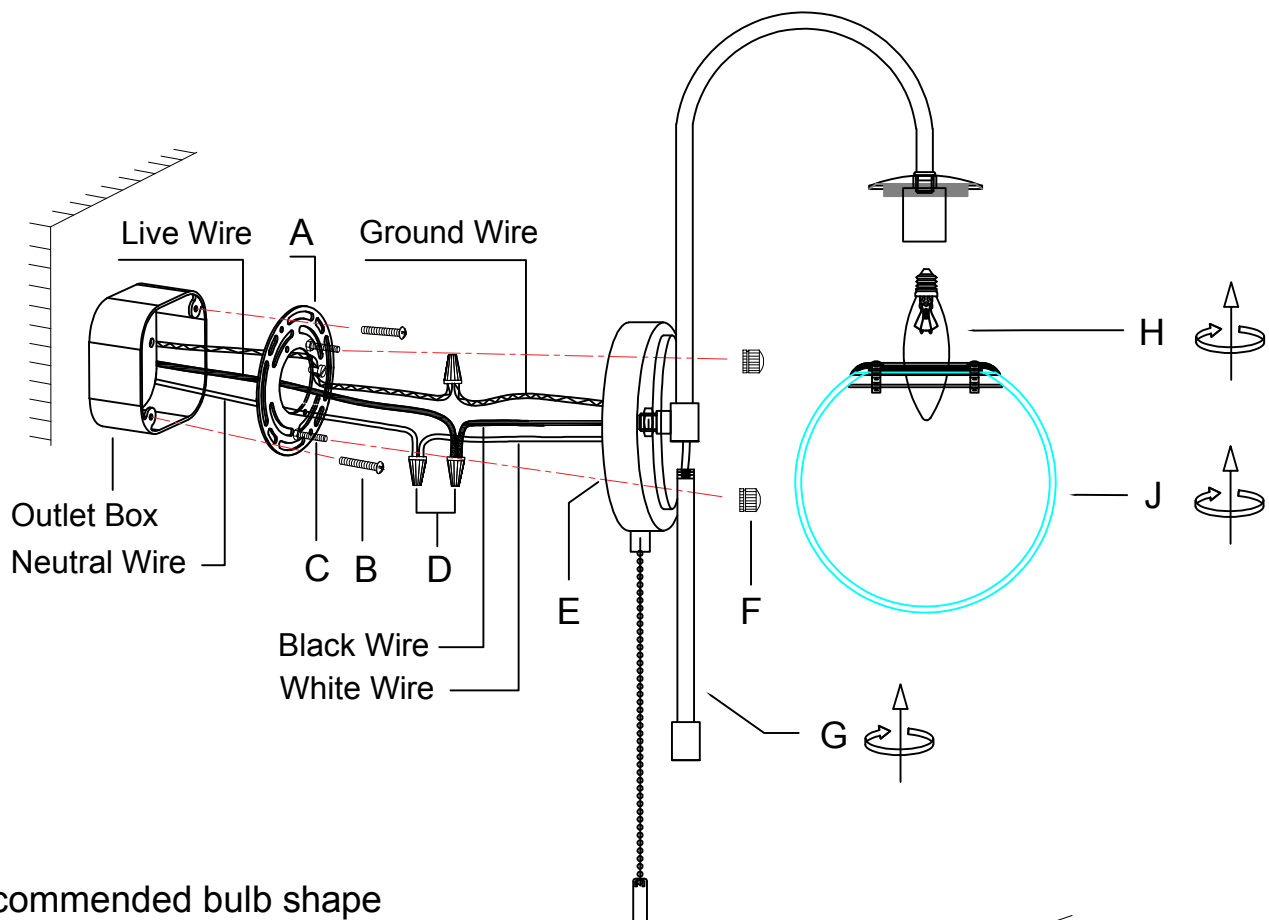


# ITEM NO. : B3213BU

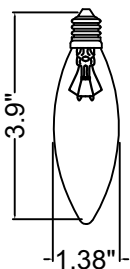
## ASSEMBLY INSTRUCTIONS

1. Install the mounting plate (A) on the outlet box with the screws (B).
2. Loosen the hex nuts around the bolts (C) and screw in or unscrew the bolts from the junction box to get the right length for installation.
3. Connect the fixture wire to the circuit wire by wire nuts (D), black wire with live wire, white wire with neutral wire, ground wire with ground wire.
4. Fix the lamp body (E) to the mounting plate (A) with ball nuts (F).
5. Screw the rod (G) into the lamp body (E).
6. Screw the bulb (H) into the lamp holder.
7. Screw the lampshade (J) into the lamp body.

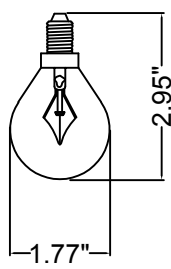
*Please consult a qualified Electrician if you are not familiar with electrical wiring.*



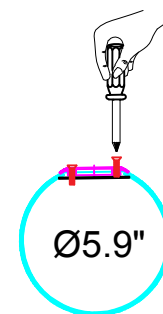
### Recommended bulb shape



C35



G45



Max. Size of Bulb:  
1.77 Inches Wide \* 3.94 Inches High

Tighten the screws before installing the glass globe. Note: Do not over tighten the screws or you will potentially break the glass.