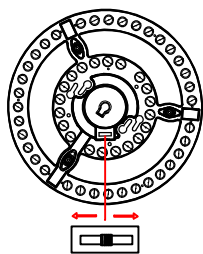


ITEM NO:T7220CU-M

ASSEMBLY INSTRUCTIONS

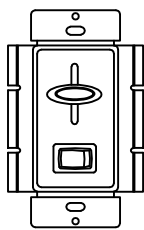
- 1.Screw the threaded tube (B) into the joint nut inside the lampshade and secure the tube with a nut. (Note: the part of threaded tube that is screwed into the lampshade can't be too long otherwise it will press against the wires.)
- 2.Install the mounting plate (C) on the outlet box with the screws (D).
- 3.Loosen the hex nuts around the bolts (E) and screw in or unscrew the bolts from the junction box to get the right length for installation.
- 4.Connect the fixture wire to the circuit wire by wire nuts (F), black wire with live wire, white wire with neutral wire, ground wire with ground wire.
- 5.Fix the lamp body (A) to the mounting plate (C) by the ball nuts (G).
- 6.Attach the diffuser (H) to the threaded tube (B). Put the diffuser (H) into the lampshade at an angle and secure the diffuser with the nut (J).

Please consult a qualified Electrician if you are not familiar with electrical wiring.



3000K 4500K 5500K

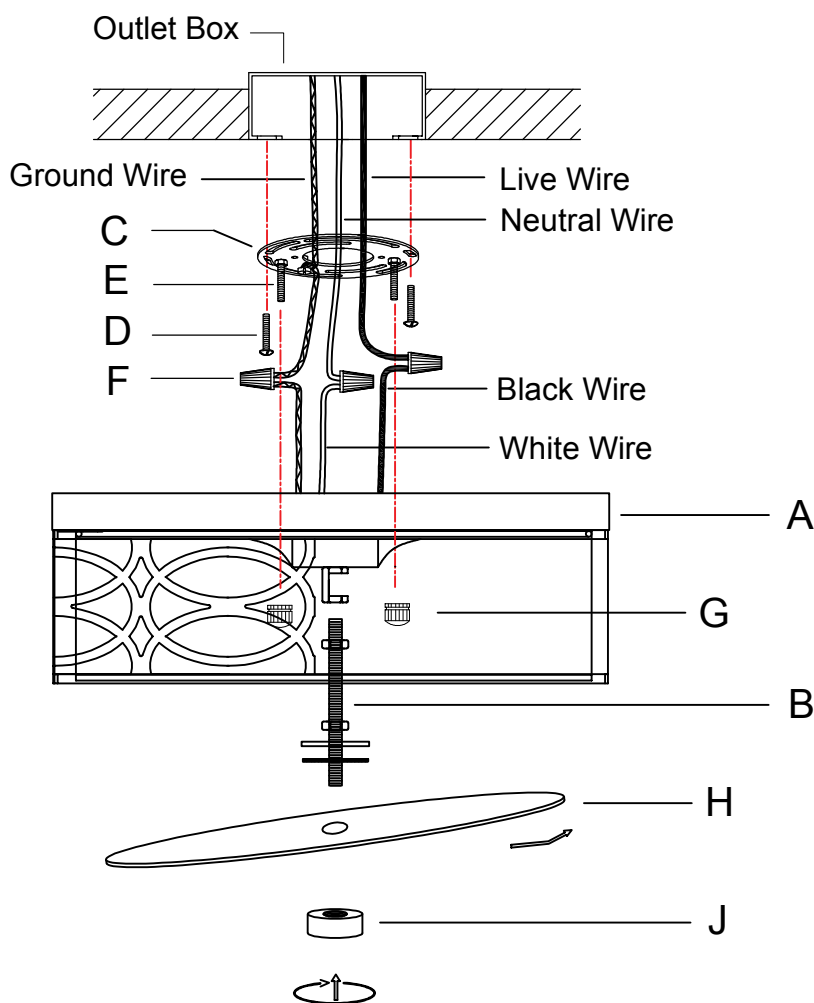
The LED color temperature can be adjusted before installing the lamp.



Dimmer

(NOT included in the package)

100% 60% 10%



1.The ceiling light is fully dimmable with a compatible dimmer and its dimming range is from 100% down to 10%.

2.The dimming effect varies with the brands of dimmers and the recommended brand is Lutron.