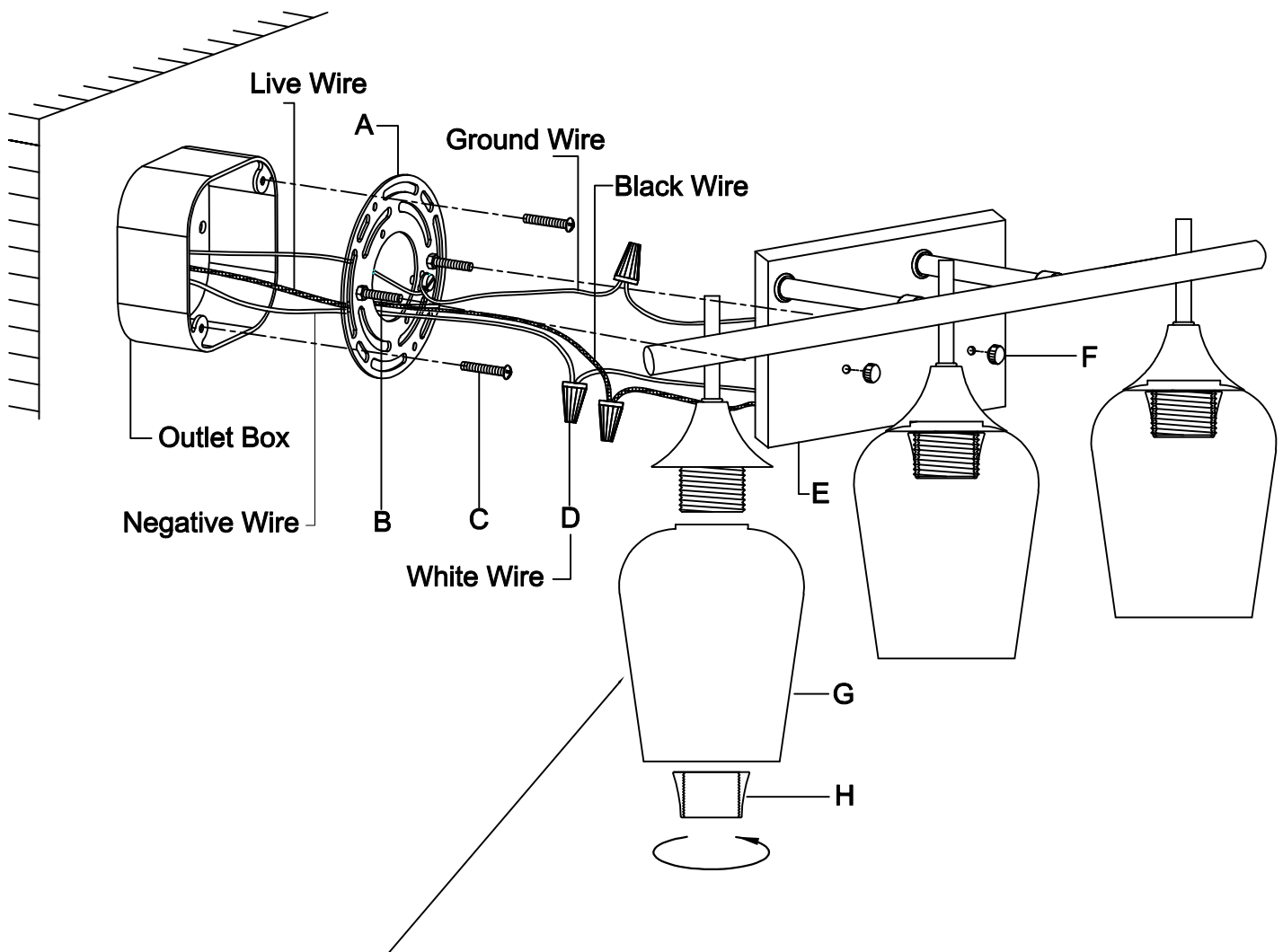


ITEM NO. : B3068-3BU

ASSEMBLY INSTRUCTIONS

1. Adjust the length of the screw (B) to suit your needs.
2. Install the mounting plate (A) on the outlet box by using the screws (C).
3. Connect the fixture wire to the mains wire by wire nuts (D), black wire with live wire, white wire with negative wire, ground wire with ground wire.
4. Fix the lamp body (E) to the mounting plate (A) by the ball nuts (F).
5. Place the lamp shade (G) on the socket and tighten it with the socket ring (H)

Please consult a qualified Electrician if you are not familiar with electrical wiring.



In view of thermal expansion and contraction, avoid securing the glass shade too tight when screwing the socket ring into the lamp holder, or you will break the glass shade.